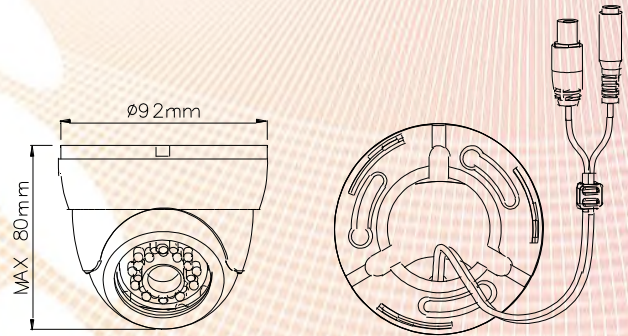


# Analog High Definition 1.3MP SONY IR Camera

## Features:

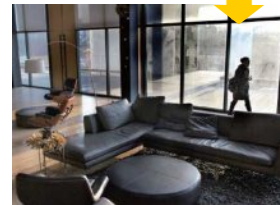
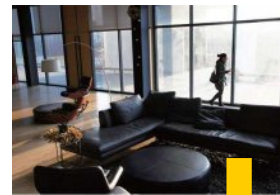
- ★ HD video quality on 1.3MP / 720P resolution.
- ★ HD video transmission without quality loss and compression.
- ★ Real-time video display without delay.
- ★ Long video transmission distance via Coax / UTP.
- ★ SONY 1.3MP CMOS image sensor.
- ★ Built-in ICR for true day & night without focus shift.
- ★ Auto Electronic Shutter (AES), Auto Gain Control (AGC).
- ★ Auto Trace White Balance (ATW).
- ★ Digital Wide Dynamic Range (DWDR).
- ★ 2D / 3D Noise Reduction (2DNR / 3DNR).
- ★ Built-in anti-aliasing IR-pass (850nm) optical filter.

## Dimensions:



## Specifications:

|                            |   |
|----------------------------|---|
| Model No.                  | HIT13-15PF  |
| Image Pick-up Device       | SONY 1/3" 1.3MP CMOS                                  |
| IR Cut Filter              | Built-in  |
| Horizontal Resolution      | 1280(H) x 1024(V) @ 30FPS                             |
| Minimum Illumination       | 0.05LUX / F1.8; 0LUX / IR                             |
| S/N Ratio                  | More than 60 dB                                       |
| Auto Electronic Shutter    | 1/60s (1/50s) ~ 1/500,000s                            |
| Gain Control               | Automatically   |
| White Balance              | ATW (1,800°K~10,500°K)                                |
| Gamma Characteristic       | 0.45  |
| DWDR                       | ON  |
| 2D/ 3D Noise Reduction     | ON  |
| Lens Furnished             | HD Board Lens 4mm / F1.8                              |
| Synchronous System         | Internal, Negative sync.                              |
| Video Output               | 1 Vp-p Composite Video / 75 ohm                       |
| Transmission Distance      | Coax.: 300M (3C2V) / 500M (5C2V)<br>UTP: 200M (Cat5e) |
| Power Supply / Consumption | DC 12V / 250mA  |
| Operating Temp.            | -10°C to 50°C (14°F to 122°F)                         |
| Housing Material           | Plastic   |
| IR LED                     | 24 Units of 850nm IR LED                              |
| IR Projection Distance     | 15 Meters   |



DWDR

2DNR

