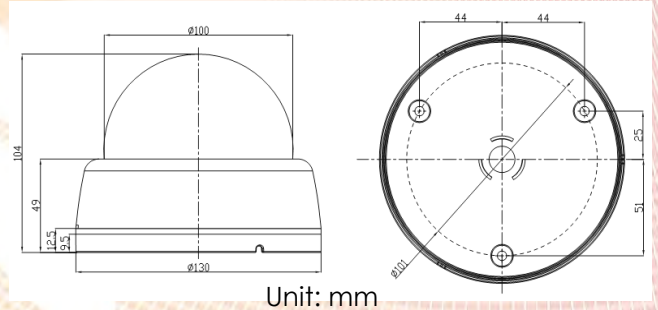


Analog High Definition 1.3MP SONY IR Camera

Features:

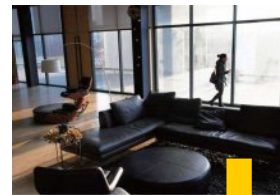
- ★ HD video quality on 1.3MP / 720P resolution.
- ★ HD video transmission without quality loss and compression.
- ★ Real-time video display without delay.
- ★ Long video transmission distance via Coax / UTP.
- ★ SONY 1.3MP CMOS image sensor.
- ★ Built-in ICR for true day & night without focus shift.
- ★ Auto Electronic Shutter (AES), Auto Gain Control (AGC).
- ★ Auto Trace White Balance (ATW).
- ★ Digital Wide Dynamic Range (DWDR).
- ★ 2D / 3D Noise Reduction (2DNR / 3DNR).
- ★ Built-in 2.8~12mm vari-focal lens.
- ★ Built-in anti-aliasing IR-pass (850nm) optical filter.

Dimensions:

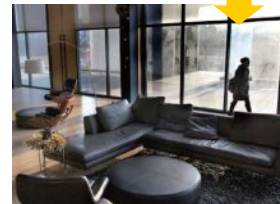


Specifications:

Model No.	HIT13-25PV
Image Pick-up Device	SONY 1/3" 1.3MP CMOS
IR Cut Filter	Built-in
Horizontal Resolution	1280(H) x 1024(V) @ 30FPS
Minimum Illumination	0.05LUX / F1.4; 0LUX / IR
S/N Ratio	More than 60 dB
Auto Electronic Shutter	1/60s (1/50s) ~ 1/500,000s
Gain Control	Automatically
White Balance	ATW (1,800°K~10,500°K)
Gamma Characteristic	0.45
DWDR	ON
2D/ 3D Noise Reduction	ON
Lens Furnished	HD Board Lens 2.8~12mm / F1.4
Synchronous System	Internal, Negative sync.
Video Output	1 Vp-p Composite Video / 75 ohm
Transmission Distance	Coax.: 300M (3C2V) / 500M (5C2V)
	UTP: 200M (Cat5e)
Power Supply / Consumption	DC 12V / 250mA
Operating Temp.	-10°C to 50°C (14°F to 122°F)
Housing Material	Plastic
IR LED	30 Units of 850nm IR LED
IR Projection Distance	25 Meters



DWDR



2DNR



Design and specifications are subject to change without notice.